

STUDENT NAME: \_\_\_\_\_

DATE: \_\_\_\_\_

### 3-2 Lab 3 Motor Control Homework

**HOMWORK SHOULD BE COMPLETED AND RETURNED TO YOUR CLASSROOM INSTRUCTOR ON YOUR NEXT REGULAR SCHEDULED CLASS NIGHT TO AVOID ATTENDING THE NEXT MAKEUP LAB.**

In the space below, complete the Sequence of Operations for the Motor Control circuit Ladder Diagram on the back side of this sheet(ID each component).

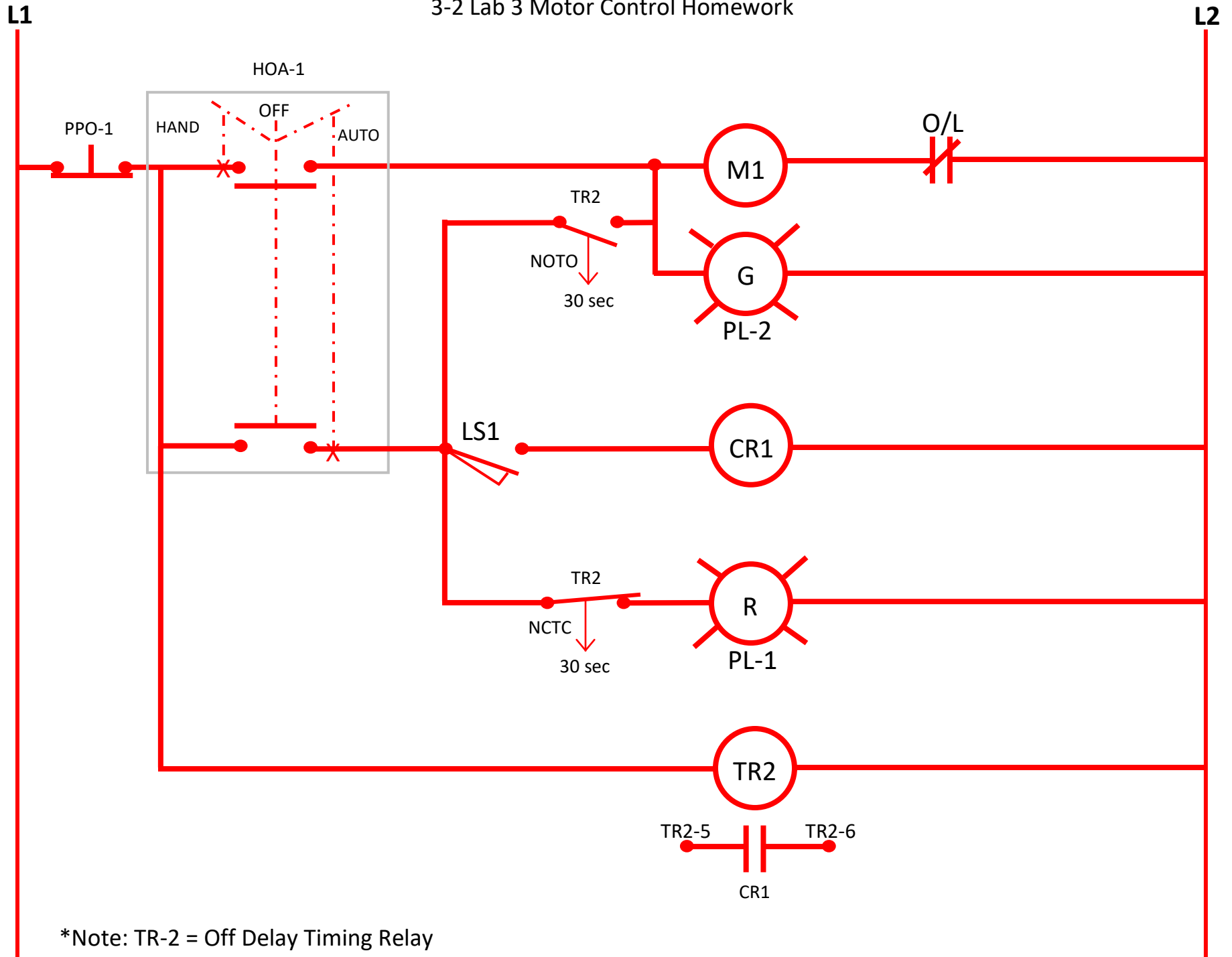
Sequence of Operations: *(Consider each line a next step in the sequence)*

- 1) When HOA-1 is placed in Hand:  
\_\_\_\_\_
- 2) \_\_\_\_\_
- 3) \_\_\_\_\_
- 4) \_\_\_\_\_
- 5) \_\_\_\_\_
- 6) When HOA-1 is placed in Auto:  
\_\_\_\_\_
- 7) \_\_\_\_\_
- 8) \_\_\_\_\_
- 9) When LS-1 is operated:  
\_\_\_\_\_
- 10) \_\_\_\_\_
- 11) \_\_\_\_\_
- 12) \_\_\_\_\_
- 13) \_\_\_\_\_
- 14) \_\_\_\_\_
- 15) \_\_\_\_\_
- 16) \_\_\_\_\_
- 17) \_\_\_\_\_
- 18) \_\_\_\_\_
- 19) \_\_\_\_\_
- 20) \_\_\_\_\_

STUDENT NAME: \_\_\_\_\_

DATE: \_\_\_\_\_

### 3-2 Lab 3 Motor Control Homework



\*Note: TR-2 = Off Delay Timing Relay